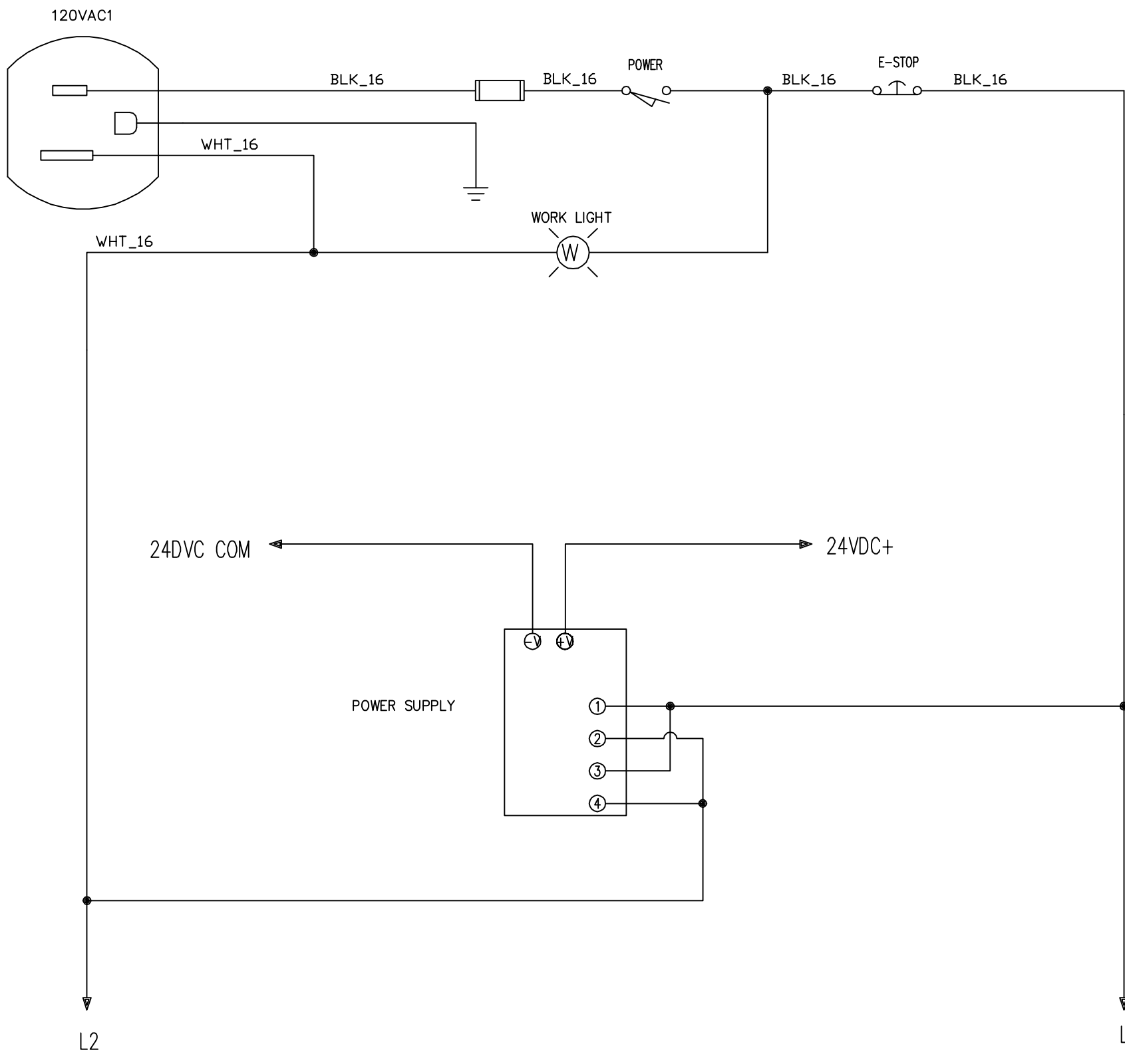


REV	DATE	CHANGE	TR NO.	REV BY.



APM ENGINEERING, INC.

1313 E. Borchard Ave
Santa Ana, CA 92705

TITLE UP X00 ELECTRICAL DRAWING

DRAWING NO. **100-01**

SHEET 1 OF 3

DESIGNED BY IRWIN

DRAWN BY IRWIN

CHECKED BY C.S.I.

APPROVED BY APPROVED_BY DATE