

A

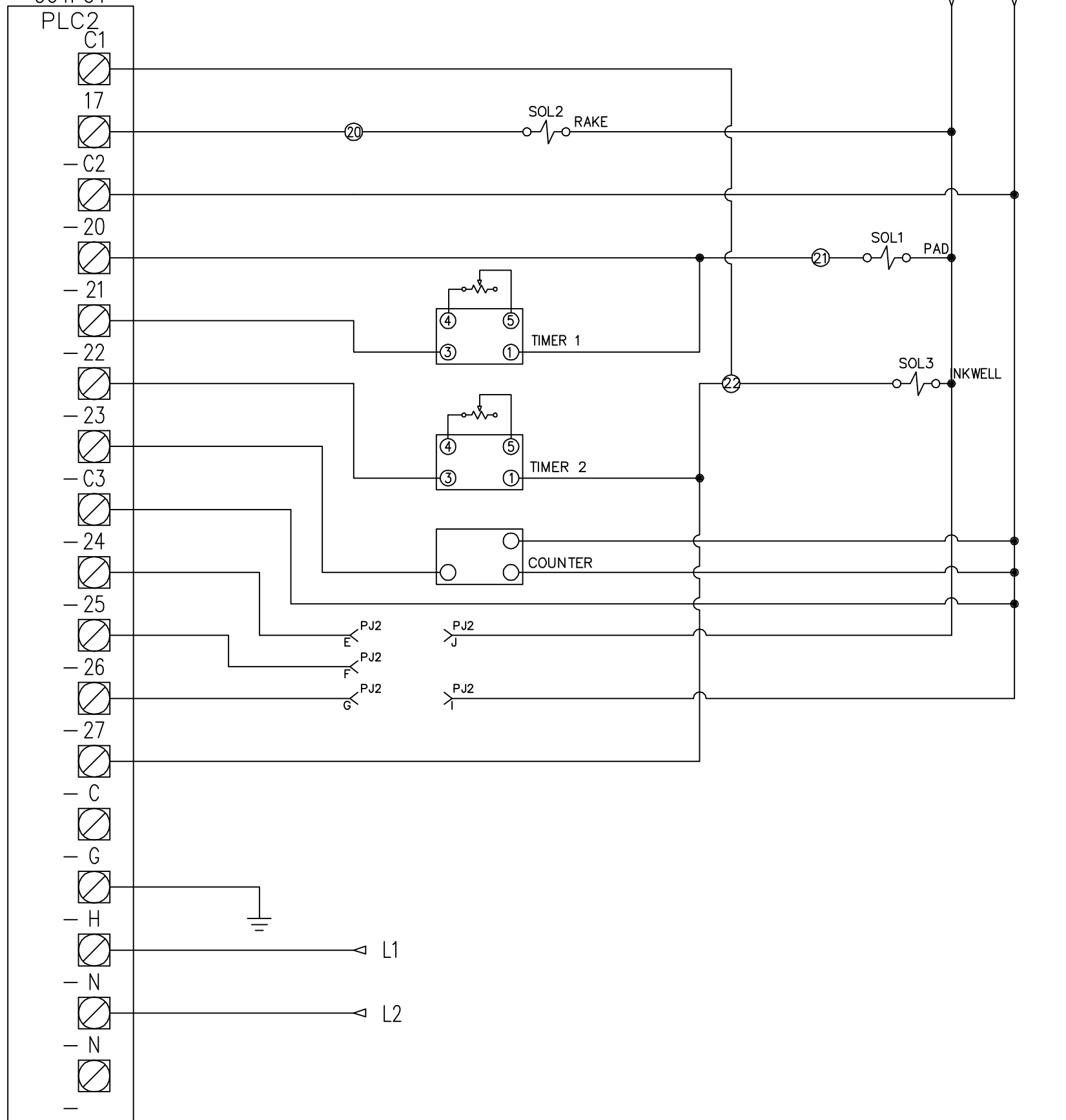
B

C

D

REV	DATE	CHANGE	TR NO.	REV BY.

General Electric  
OUTPUT  
RACK  
SLOT  
OUTPUT



1313 E. Borchard Ave  
Santa Ana, CA 92705

TITLE UP X00 ELECTRCIAL DRAWING

DRAWING NO. 300.-01

SHEET 1 OF 3

DESIGNED BY IRWIN

DRAWN BY IRWIN

CHECKED BY C.S.I.

APPROVED BY APPROVED\_BY DATE