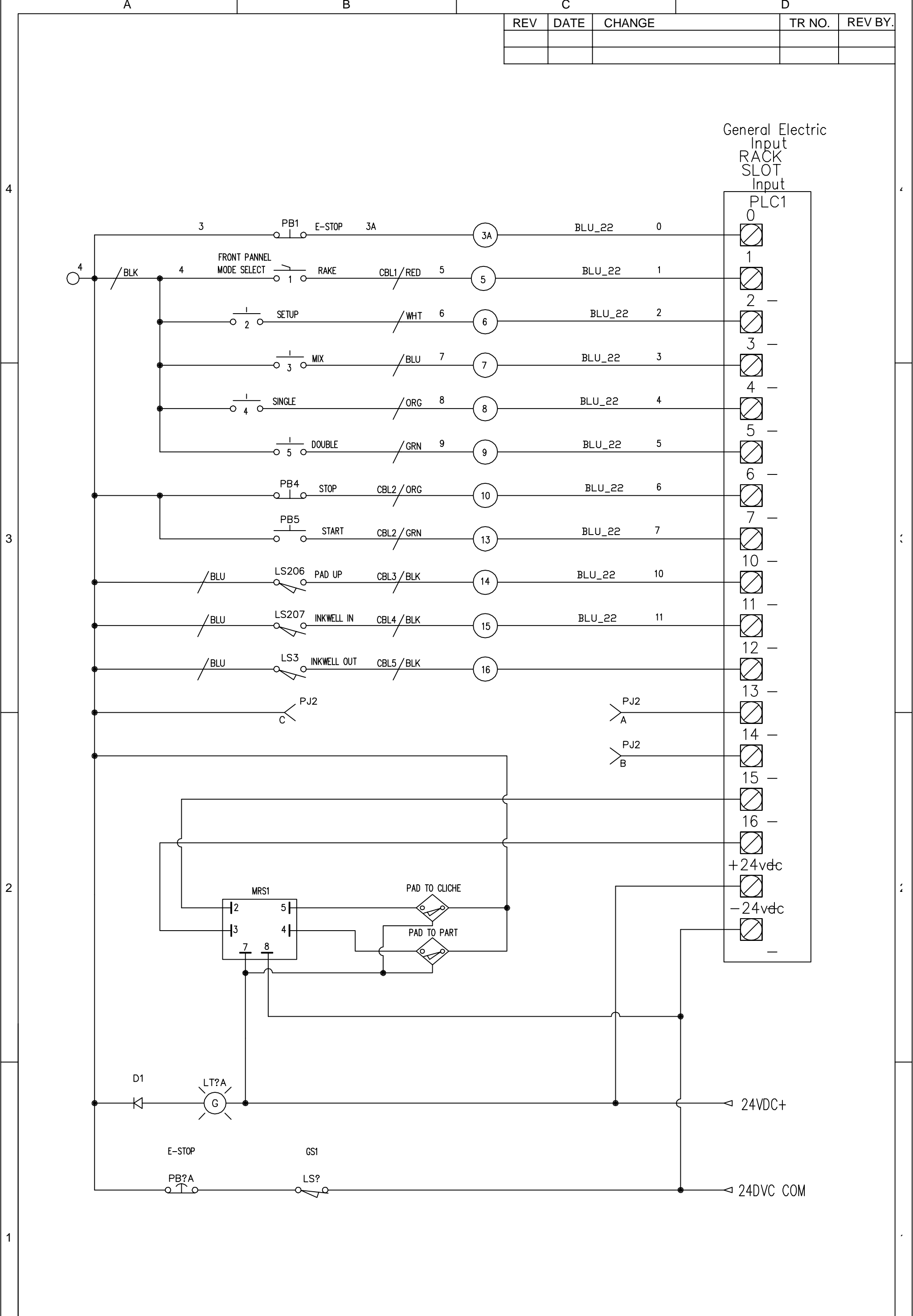


REV	DATE	CHANGE	TR NO.	REV BY.



1313 E. Borchard Ave  
Santa Ana, CA 92705

TITLE UP X00 ELECTRCIAL DRAWING

DRAWING NO. 200.01

SHEET 1 OF 3

DESIGNED BY	IRWIN
DRAWN BY	IRWIN
CHECKED BY	C.S.I.
APPROVED BY	APPROVED_BY DATE